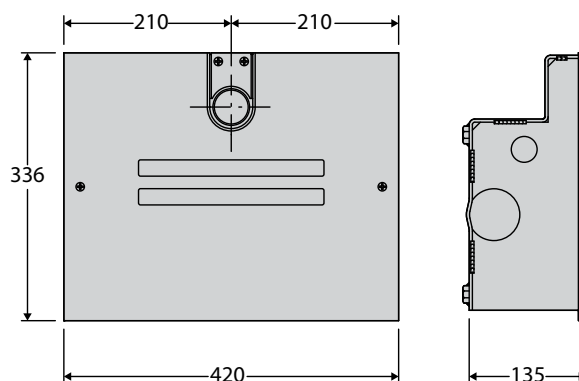


**ELI 250 N BT** | | | | | | **U-link**

|  | Code                 | Name                | Description  |
|--|----------------------|---------------------|--|
|  | <b>P930125 00001</b> | <b>ELI 250 N BT</b> | Underground electromechanical operator 24V for swing gates up to 400kg in weight and 3.5m in length. |
|  |                      |                     |  |

|                          | <b>ELI 250 N BT</b>                      |
|--------------------------|--|
| Control unit             | THALIA                                   |
| Operator weight          | 10kg                                     |
| Operator type            | electromechanically operated swing gates |
| Power supply             | 24V                                      |
| Power input              | 175W                                     |
| Maximum angle            | 120°                                     |
| Cycle time               | 15sec                                    |
| Type of limit switch     | magnetic                                 |
| Slowdown                 | yes                                      |
| Impact reaction          | d-track                                  |
| Locking                  | mechanical                               |
| Release                  | lever or lever with personalised key     |
| Frequency of use         | intensive                                |
| Environmental conditions | from -20°C to 50°C                       |

**Dimensions**

**THALIA**
**Control panel for one or two 24V operators for swing gates**

**THALIA D113745 00002**

- Application: control panel for one or two 24V operators for swing gates
- Board power supply: 230V single-phase
- Operators power supply: 24Vdc 180W max each operator
- Main features: removable terminal blocks with new standard colour-coding, simplified scenario-based programming with display and incorporated dual channel receiver, D-Track anti-crushing system, slowdown during opening and closing and electronic self-learning
- Main functions: automatic re-closing, fast closing, partial opening, deadman feature
- Compatibility: LIBRA C MA, LIBRA, LIBRA R, LIBRA MA R

**Accessories**

|  | Code          | Name                   | Description   |
|--|---------------|------------------------|---|
|  | D113745 00002 | <b>THALIA</b>          | Control panel for one or two 24V operators for swing gates  |
|  | N733392       | <b>SCC</b>             | Release for ELI 250N and SUB BT with lever key.   |
|  | N733397       | <b>BTCF 120 E</b>      | Foundation box with levers for ELI 250 N BT, ELI 250 N, ELI 250 N V. Release not supplied                 |
|  | N733398       | <b>BTCF 120 E INOX</b> | Stainless steel foundation box with levers for ELI 250 N BT, ELI 250 N, ELI 250 N V. Release not provided |
|  | N733502       | <b>SCP</b>             | Release for ELI 250 and SUB BT with personal key.   |
|  | P125020       | <b>BBT BAT</b>         | Set of backup batteries for THALIA and THALIA P   |